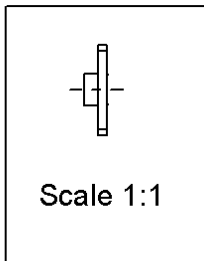
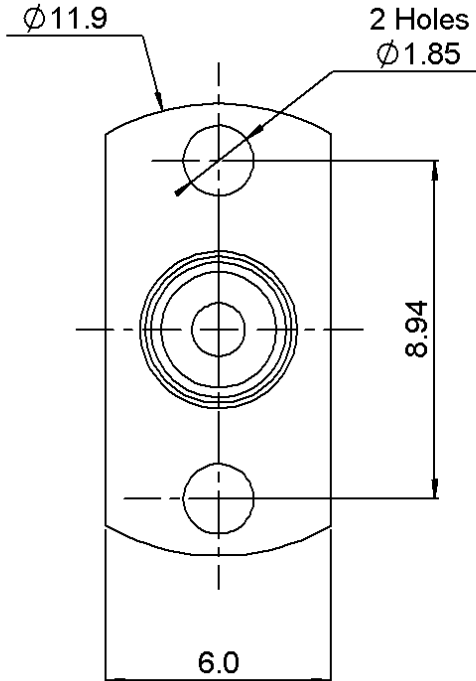
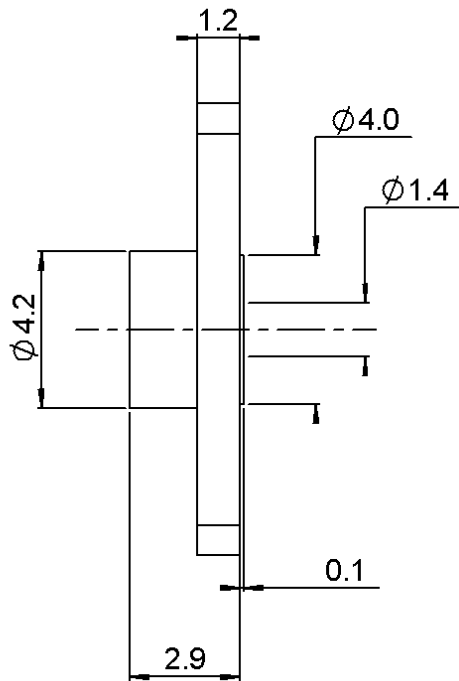


TWO HOLE FLANGE SCHROUD 0.4MM

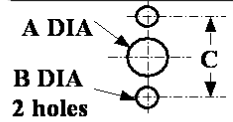
R222.450.331

BROCHE

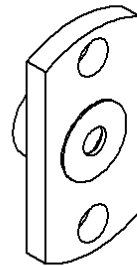
Series : SMP



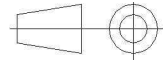
PANEL CUT OUT



	mm	
	Maxi	mini
A	4.15	4.05
B	1.90	1.80
C	8.99	8.89



All dimensions are in mm.



COMPONENTS	MATERIALS	PLATINGS (µm)
BODY	INOX	PASSIVE .
CENTER CONTACT		
OUTER CONTACT		
INSULATOR		
GASKET		
OTHERS PARTS		
-	-	-
-	-	-

Issue : 0946 B

In the effort to improve our products, we reserve the right to make changes judged to be necessary.



TWO HOLE FLANGE SCHROUD 0.4MM

R222.450.331

BROCHE

Series : SMP

PACKAGING

SPECIFICATION

Standard	Unit	Other
100	'W' option	Contact us

ELECTRICAL CHARACTERISTICS

ENVIRONMENTAL

Impedance	NA	Ω
Frequency	NA	GHz
VSWR	NA + 0,0000	x F(GHz) Maxi
Insertion loss	NA	\sqrt{F} (GHz) dB Maxi
RF leakage	NA - (F(GHz)) dB Maxi
Voltage rating	NA	Veff Maxi
Dielectric withstanding voltage	NA	Veff mini
Insulation resistance	NA	M Ω mini

Operating temperature	-65/165	$^{\circ}$ C
Hermetic seal	NA	Atm.cm3/s
Panel leakage	NA	

OTHERS CHARACTERISTICS

Assembly instruction

Others :

MECHANICAL CHARACTERISTICS

Center contact retention		
Axial force – Mating end	NA	N mini
Axial force – Opposite end	NA	N mini
Torque	NA	N.cm mini
Recommended torque		
Mating	NA	N.cm
Panel nut	NA	N.cm
Mating life	500	Cycles mini
Weight	0,5800	g

Issue : 0946 B

In the effort to improve our products, we reserve the right to make changes judged to be necessary.



TWO HOLE FLANGE SCHROUD 0.4MM

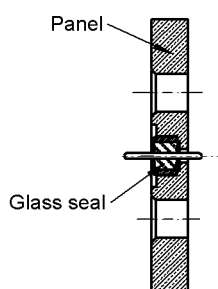
R222.450.331

BROCHE

Series : SMP

**ADDITIONAL INFORMATIONS
MOUNTING INSTRUCTIONS**

1. Check the quality of the soldering, as well as the position of the glass seal in the package.



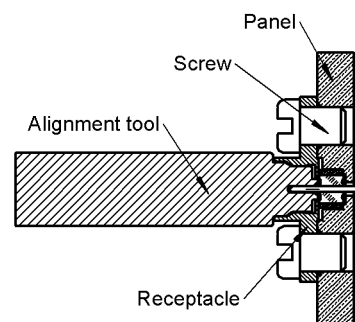
2.

Place the receptacle and pre-assemble screw on the package.

Mount the aligning positioner R2821.860.022 into the flange to ensure a good concentricity.

Screw the receptacle on the package.

Remove the aligning positioner.



Issue : 0946 B

In the effort to improve our products, we reserve the right to make changes judged to be necessary.

